

OCEANO



MODEL:

OK10S

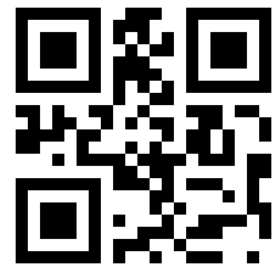
OK16S

OK25S

OK35S

OK36S

OK_____



Dealer stamp / qualified technical

KIT OCEANO

**TAP WATER FILTERING KIT
MICROFILTERED WATER DRINKING KIT WITH COUNTER AND FAUCET**

***USER MANUAL
USE AND MAINTENANCE***

Manufacturer

WATER LINE S.r.l.
Via Caponnetto, 21
Rubiera 42048 (RE)
Tel. (+39) 0522/626090
Fax (+39) 0522/626091
www.waterline.it
info@waterline.it



Compliance

OCEANO Water Filtering Kit is in compliance with:

- Directive 98/83 Quality of water intended for human consumption
- Directive 2006/42 CE, 2014/30 UE, 2014/35 UE

Safety Warnings

In the use and maintenance of the device, respect the instructions; keep the user manual in a safe place.

Make the device sanitation periodically and in case of inactivity to maintain hygienic safe.

Installation must be carried out only by qualified operator.

Install the water filtering kit in a safe and hygienic place, protect from frost and heat sources.

Respect the pressure and temperature limits indicated in technical specifications.

ATTENTION: The device require periodically maintenance to guarantee filtered water quality, as declared by the manufacturer.

Intended Use / Forbidden use

Use the water filtering kit only for tap water for household or similar applications.

Forbidden use with not drinking water.

Kids must not play with the device.

Disposal

The device and the spare parts must be disposed as follow::

Cartridge = mixed municipal waste

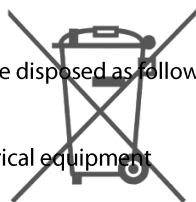
Water counter batteries = batteries

Water counter = RAEE discarded electrical equipment

Faucet and head bracket = metals

Head, hoses, fittings = plastics

Water inlet valve = plastics



Water physical – chemical parameters modified by **OCEANO** filter

Parametro	Unit of meas	Directive 98/83 limits	Tap Water	Filtered Water OK10/OK16	Filtered Water OK25	Filtered Water OK35/OK36	Note
Colony count 22°C	ufc/ml	No abn. change	<1	<1	<1	<1	
Colony count 37°C	ufc/ml	No abn. Change	<1	<1	<1	<1	
Pseudomonas aeruginosa	ufc/250ml	0 ufc/250ml	0	0	0	0	
Total chlorine	mg/l	<0,2	1,22	0,09	0,09	<0,05	After 20 liters flushing
Free chlorine	mg/l	<0,2	1,16	0,07	0,07	<0,05	
Combined chlorine	mg/l	<0,2	0,06	0,02	0,02	<0,01	
Silver ion	mg/l	<0,01	<0,001	0,008	0,008	0,009	
Test performed by qualified Lab Accredia n. 0231 on 2016.							

Description

Tap water microfiltering kit with:

- Inlet water valve connection
- Digital volumetric counter with batteries and fittings
- Bayo connection head
- **OCEANO** small bayonet cartridge
- Goose neck faucet
- Hoses
- Manuals

The **OCEANO OK10** and **OK16** filter cartridges adopt the special sintered Carbon Block technology 0,3µm 0,5µm. It mechanically removes from water substances in suspension larger than 0,3µm or 0,5µm, chlorine and derivatives, organohalogenated compounds, organic substances and metal compounds. The molecules of silver present in the structure of the filter prevent bacteria to proliferate therefore they keep the water bacteriologically pure.

The cartridge **OCEANO OK25** CBS + UF with double filtration technology, sintered Carbon Block combined with a ultrafiltration membrane 0,1µm. It mechanically removes from water substances in suspension larger than 0,1µm, chlorine and derivatives, organohalogenated compounds, organic substances and metal compounds. The ultrafiltration membrane also allows an effective removal of bacteria possibly present in water making it microbiologically pure.

The **OCEANO OK35** and **OK36** filter cartridges use the Pre-Coat 0,5 µm technology, thanks to the high surface membrane and the activated carbon powder, removes from the water substances in suspension larger than 0,5µm, chlorine and derivatives, organohalogenated compounds, organic substances and metal compounds. The bacteriostatic element present in the structure of the filter prevents bacteria to proliferate therefore they keep the water bacteriologically pure.

Technical specifications

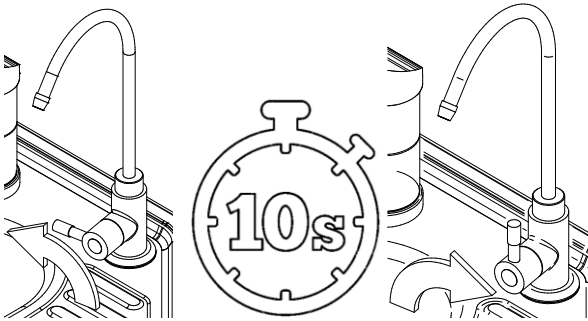
Max pressure: 8.6 bar (125 psi)

Temperature min-max: 2 – 39 °C (35 – 100 °F)

Model	OK10S	OK16S	OK25S	OK35S	OK36S
Max flow (l/min)	3	3	2.5	3	3
Capacity (l)	5.000	11.000	5.000	5.000	5.000
Filtration (µm)	0.3	0.5	0.1	0.5	0.5

Use

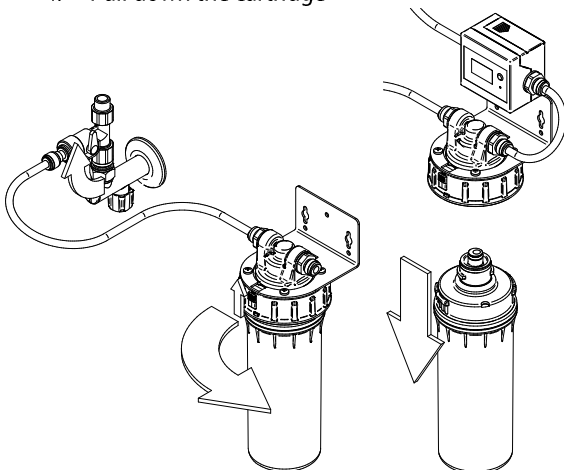
1. Open the faucet
2. Flush water for 10 seconds
3. Take water for drinking use
4. Close the faucet



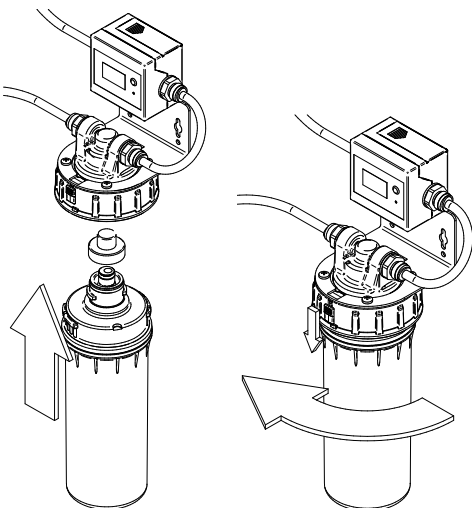
Cartridge replacement

Use only original **OCEANO** parts.

1. Close inlet water
2. Open the faucet
3. Slide up the red lock and turn cartridge right
4. Pull down the cartridge

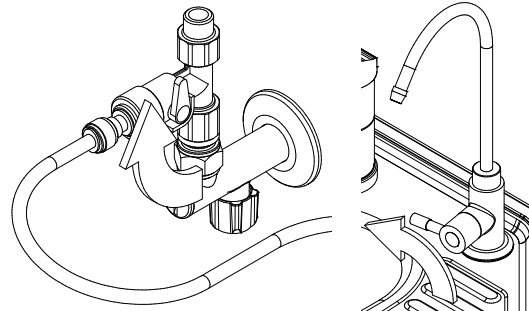


5. Remove the plug and push up the cartridge
6. Turn the cartridge left
7. Slide down the lock and open inlet valve
8. Open the faucet and flush 5 minutes
9. Write down cartridge replacement in the register



Inactivity

Close inlet water and open the faucet in case of inactivity and/or the device remain without surveillance.



With > 3 days inactivity, flush water for 1 minute before use.
With > 15 days inactivity, make sanitation.
With > 30 days inactivity, replace the cartridge and make sanitation.

Digital water meter use

Batteries installation

Open the cover and put two AAA batteries, then close.

Setting liters / days capacity

Keep pressed the key DISPLAY for 5 seconds, then press key RESET, then release.

Press DISPLAY to set the capacity of 5.000 / 11.000 liters; confirm with key RESET.

Press DISPLAY to set 360 days capacity, confirm with key RESET.

Wait 10 seconds.

Normal function

During stand-by, display shows remaining liters / days; during use it shows instant flow rate.

Cartridge replace alarm

The digiflow makes acoustic signal to remind filter replacement; after replaced, press RESET for 8 seconds.

Battery replace alarm

The digiflow makes acoustic signal to remind batteries replacement.



Sanitation

1. Remove the cartridge (see cartridge replacement 1 ÷ 4)
2. Flow 20cc of amuchina (or similar sanitation liquid) in the cartridge
3. Remount the cartridge (see cartridge replacement 5 ÷ 7)
4. Flush water for 5 seconds, then wait 10 minutes to let sanitation solution act
5. Flush water for 5 minutes, to let sanitation solution flow out
6. Write down sanitation in the register

